
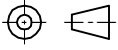


ISOMETRIC VIEW
HALF SCALE

SOURCE DRAWING - FOR REFERENCE ONLY

| | | | | | | | | | |
|-------------------|--|---|--|--|----|---|--------------------|-------------|------------|
| RELATED DOCUMENTS | | 3RD ANGLE PROJECTION | | THIS DRAWING IS CONFIDENTIAL AND THE PROPERTY OF TURCK INC. USE OF THIS DOCUMENT WITHOUT WRITTEN PERMISSION IS PROHIBITED. | |  3000 CAMPUS DRIVE MINNEAPOLIS, MN 55441 1-800-544-7769 (763) 553-7300 (763) 553-0708 fax www.turck.us | | | |
| 1. | |  | | DRFT | JB | DATE | 03/02/00 | DESCRIPTION | MB-Q14/Q20 |
| 2. | | | | DSGN | JB | SCALE | 1 = 1.0 | | |
| 3. | | ALL DIMENSIONS DISPLAYED ON THIS DRAWING ARE FOR REFERENCE ONLY | | UNIT OF MEASUREMENT | | | IDENTIFICATION NO. | REV | |
| 4. | | | | MILLIMETER [INCH] | | | | | |
| MATERIAL | | 16ga. STEEL | | CONTACT TURCK FOR MORE INFORMATION | | DO NOT SCALE THIS DRAWING | | A3147 | B |
| FINISH | | NICKEL PLATED | | FILE: A3147 | | SHEET 1 OF 1 | | | |

| | | | | |
|-----|----------------------|----|----------|---------|
| B | UPDATED PLATING SPEC | JB | 06/30/00 | B3744 |
| REV | DESCRIPTION | BY | DATE | ECO NO. |